

# MOONMACHINE 2

**MB&F**  
+  
**SARPANEVA**



FUNCTIONS

04

OPERATING INSTRUCTIONS / WINDING AND TIME SETTING

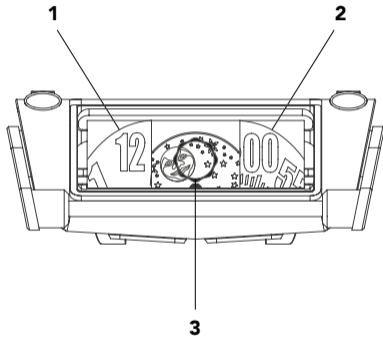
05

MOON PHASE SETTING

07

# FUNCTIONS

04



**1 HOUR**

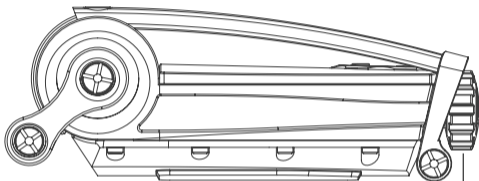
Bi-directional jumping hour

**2 MINUTE**

**3 MOON PHASE**

## OPERATING INSTRUCTIONS / WINDING

05



**Position 1**

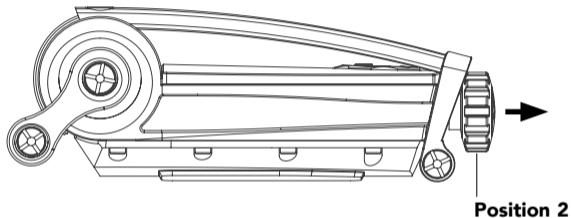
### WINDING

Your watch is equipped with an automatic movement.

If it has stopped, wind the crown (**position 1**) a few turns clockwise.

## OPERATING INSTRUCTIONS / TIME SETTING

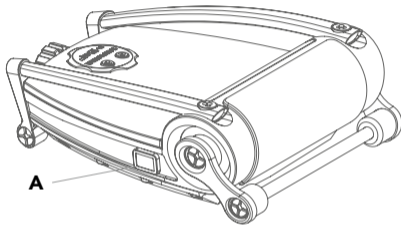
06



### TIME SETTING

Pull the crown "out" (**position 2**) and turn the crown to set the time. The time can be set forwards or backwards by rotating clockwise or anti-clockwise.

## MOON PHASE SETTING



### MOON PHASE SETTING

To adjust the moon phase, gently push the corrector (**A**), which is located on the side of the case.

**Warning:** to avoid damaging the moon phase gear train, do not adjust the moon phase between 8:00 p.m. and 3:00 a.m.

